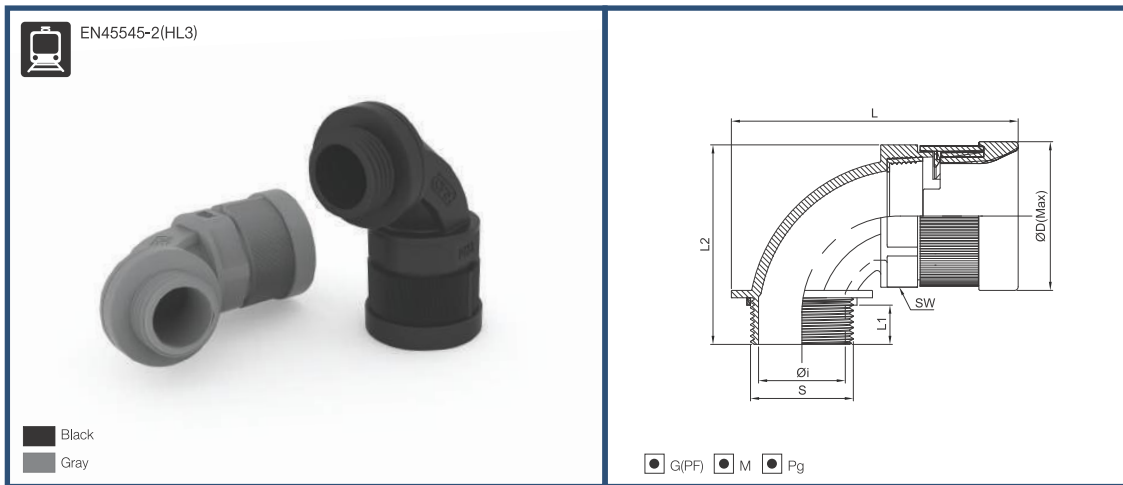


PWCL IP68



- Material : High Quality Polyamide 6
- Degrees of Protection : IP 68 (EN 60529)
- The max. Instantaneous Temperature : -40°C to +105°C
- Short Term : up to +150° C
- Self-Extinguishing : UL94-HB / Free of Halogen Phosphorous and cadmium
- Color : Black & Gray
- Application : Machine tool, Shipbuilding, Tramway, Industrial / Automatic Machinery, Printing Machine etc, Joint box with connector, Connector for jointing into Limit-Switch,

» Product size



PF Thread (JIS B0202)

Black	Gray	Thread	Tube Size	S	L1	L2	L	Øi	ØD	SW
PWCL-G10B	PWCL-G10G	G1/2"	10	20,9	8,0	45,1	60,7	12,0	24,5	19,7
PWCL-G12B	PWCL-G12G	G1/2"	12	20,9	8,0	45,8	60,8	15,0	27,6	22,8
PWCL-G16B	PWCL-G16G	G1/2"	16	20,9	8,0	51,4	68,2	15,2	33,0	28,0

Metric Thread / 90°Elbow (EN 60423)

Black	Gray	Thread	Tube Size	S	L1	L2	L	Øi	ØD	SW
PWCL-M10B	PWCL-M10G	M12 X 1,5	10	12,0	8,0	45,1	60,7	8,0	24,5	19,7
PWCL-M12B	PWCL-M12G	M16 X 1,5	12	16,0	8,0	45,8	60,8	12,0	27,6	22,8
PWCL-M202B	PWCL-M202G	M20 X 1,5	12	20,0	8,0	45,8	60,8	15,0	27,6	22,8
PWCL-M16B	PWCL-M16G	M20 X 1,5	16	20,0	8,0	51,4	68,2	15,2	33,0	28,0

Pg Thread / 90°Elbow (DIN 40430)

Black	Gray	Thread	Tube Size	S	L1	L2	L	Øi	ØD	SW
PWCL-P09B	PWCL-P09G	Pg09	10	15,2	8,0	45,1	60,7	11,0	24,5	19,7
PWCL-P110B	PWCL-P110G	Pg11	10	18,6	8,0	45,1	60,7	12,0	24,5	19,7
PWCL-P130B	PWCL-P130G	Pg13,5	10	20,4	8,0	45,1	60,7	12,0	24,5	19,7
PWCL-P11B	PWCL-P11G	Pg11	12	18,6	8,0	45,8	60,8	13,0	27,6	22,8
PWCL-P132B	PWCL-P132G	Pg13,5	12	20,4	8,0	45,8	60,8	15,0	27,6	22,8
PWCL-P162B	PWCL-P162G	Pg16	12	22,5	8,0	45,8	60,8	15,0	27,6	22,8
PWCL-P136B	PWCL-P136G	Pg13,5	16	20,4	8,0	51,4	68,2	15,2	33,0	28,0
PWCL-P16B	PWCL-P16G	Pg16	16	22,5	8,0	51,4	68,2	17,5	33,0	28,0

(Dimensions in mm)

